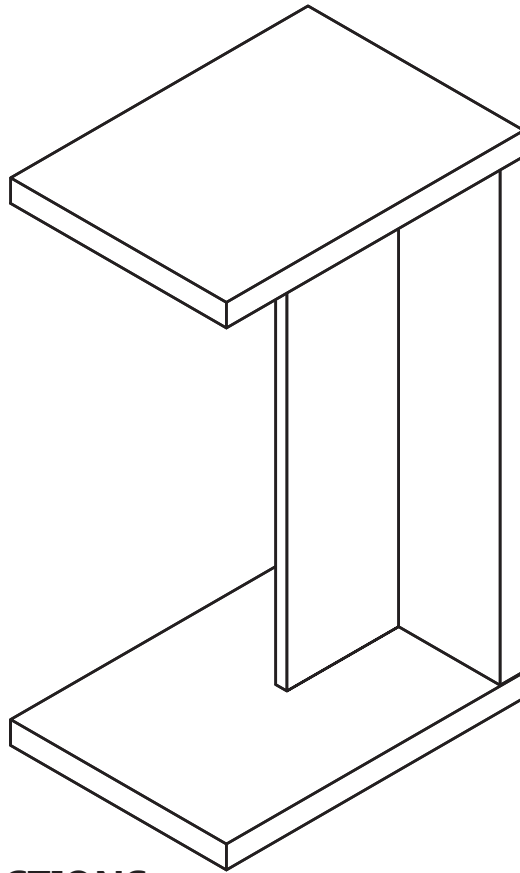


# CONVENIENCE CONCEPTS

## ADMIRAL C END TABLE

111241



### **ASSEMBLY INSTRUCTIONS**

---

We have designed our furniture with you , the customer in mind . Our clear , easy to follow , step by step instructions will guide you through the project from start to finish . Feel confident that this will be a fun and rewarding project . The final product will be a quality piece of furniture that will go together smoothly and give years of enjoyment .

---



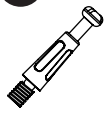

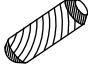
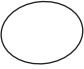

Please do not return to the store  
Broken or missing parts?  
Need help with assembly?

Our Illinois based customer service team is ready to help with any problems or questions you may have. Please give us a call (Toll Free) at 1-800-468-6447, or email us at [parts@convenience-concepts.com](mailto:parts@convenience-concepts.com).  
Normal hours of Operation: M-F\* 8am-4pm CST.

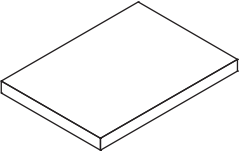
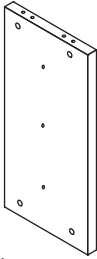
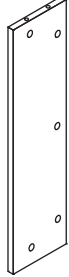
\*Excludes Holidays

This product's warranty is only valid through authorized dealers.

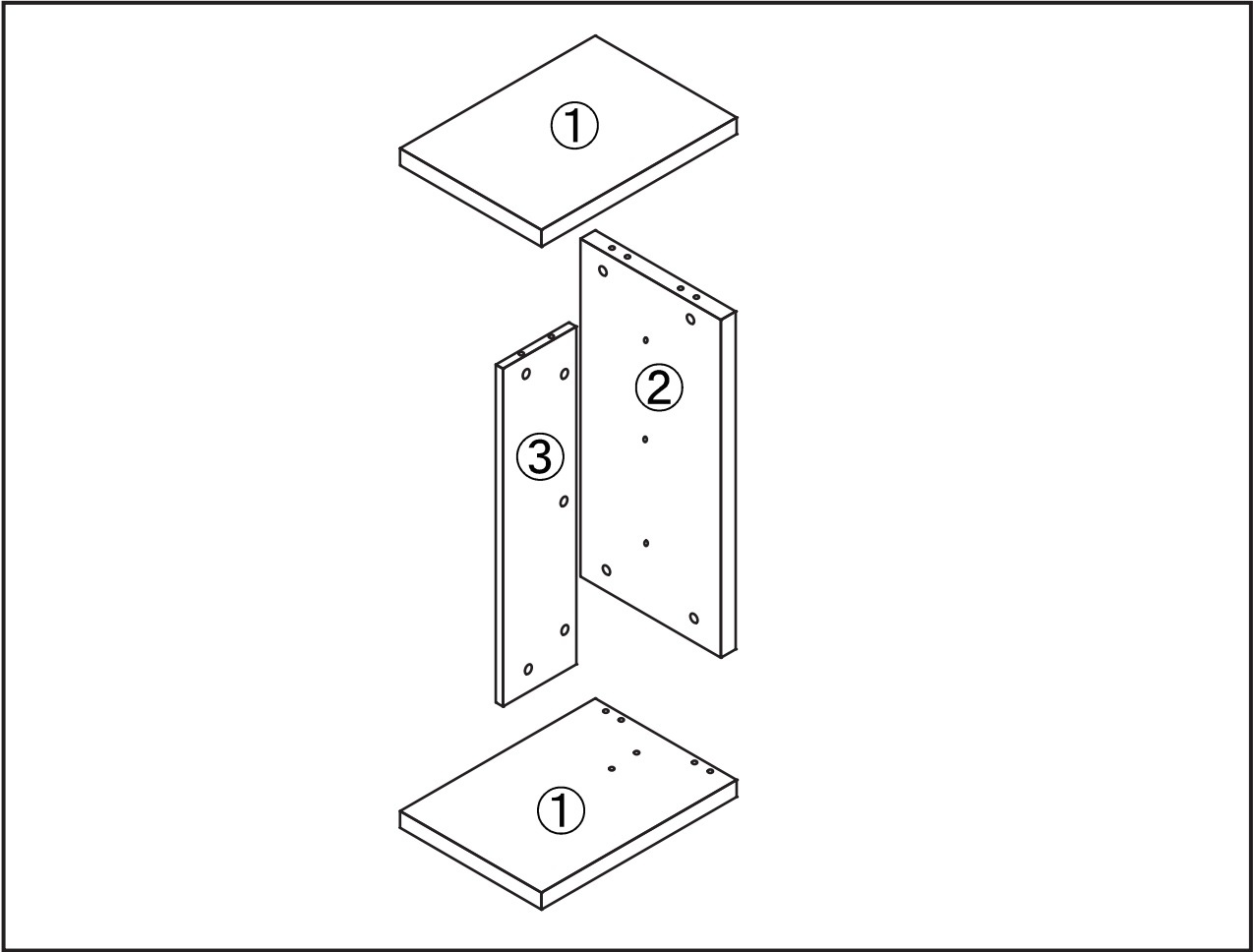
### Hardware List

<b>A</b> 	<b>B</b> 	<b>G</b> 	<b>D</b> 	<b>E</b> 	
<b>Cambolt (9pcs)</b>	<b>Camlock (9pcs)</b>	<b>Wood dowel (6pcs)</b>	<b>Sticker (9pcs)</b>	<b>Glue (1pc)</b>	

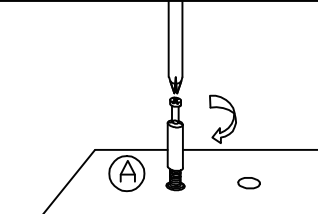
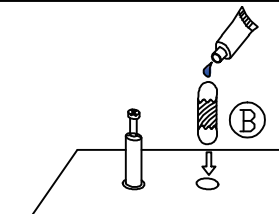
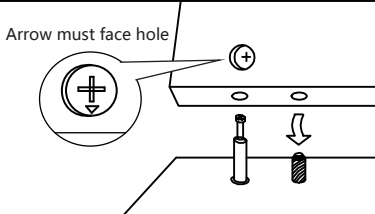
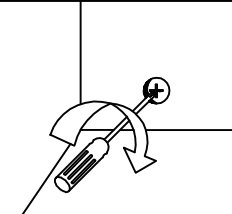
### Panel List

<p>①</p>  <p><b>Panel (2pcs)</b></p>	<p>②</p>  <p><b>Back Panel (1pc)</b></p>	<p>③</p>  <p><b>Middle Support Panel (1pc)</b></p>
---	---	---

### Exploded Views

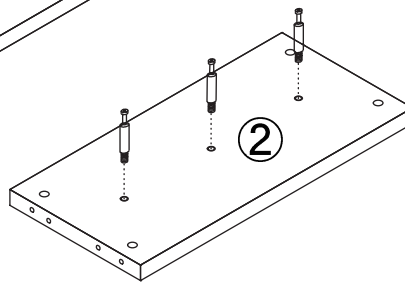
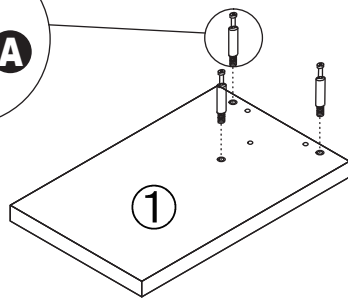
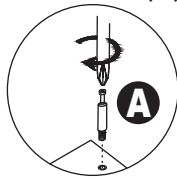


## Assembling the unit with camlocks and wood dowels.

			
<p>Gently screw cam bolt into the threaded anchor.</p>	<p>Lightly glue one end of the wood dowel and tap halfway into hole.</p>	<p>Lightly glue wood dowel and connect to second panel by inserting dowels into holes.</p>	<p>Screw the camlock firmly into locked position.</p>

### Step 1

1. Screw cambolts (A) into panels ① and back panel ② as shown .



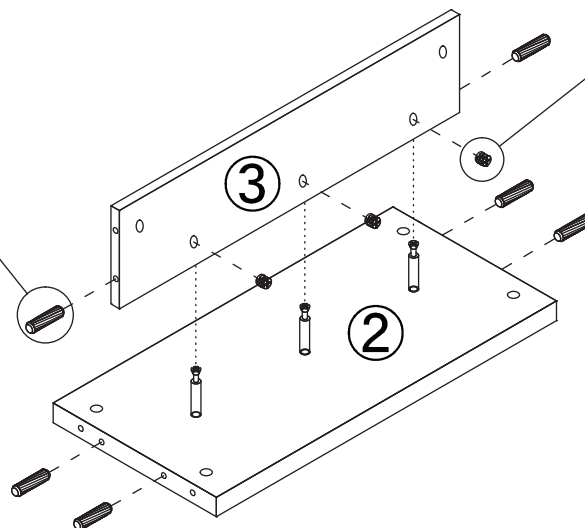
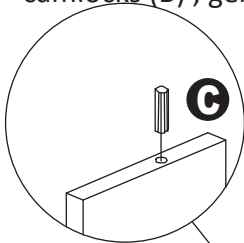
**A**



x 9

### Step 2

1. Insert wood dowels (C) into back panel ② and middle support panel ③ as shown .
2. Attach middle support panel ③ to back panel ② as shown using camlocks (B) , gently tighten camlocks.



**B**



x 3

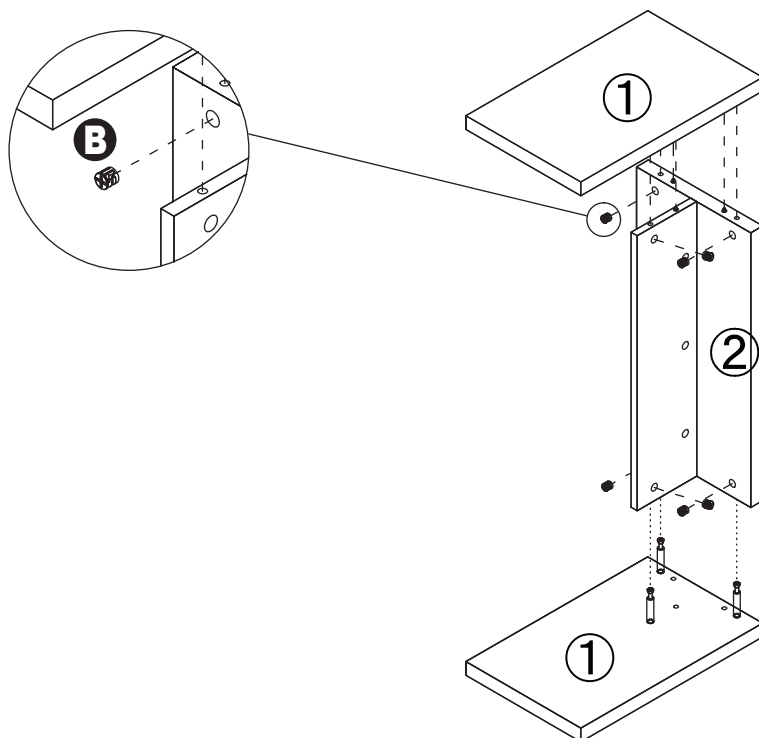
**C**



x 6

### Step 3

1. Attach panels ① to assembly as shown using camlocks (B), gently tighten camlocks..



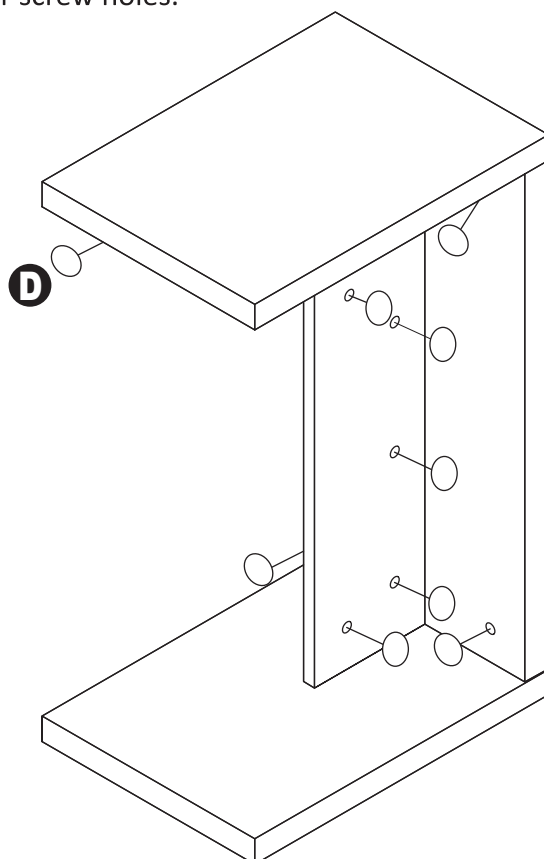
**B**



x 6

### Step 4

1. Place hole stickers (D) over screw holes.  
2. Enjoy.



**D**



x 9