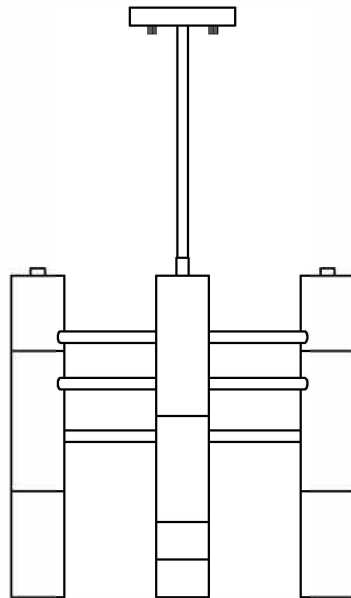


Trade Mark:
CRYSTAL WORLD INC

Product Name: Pendant lamp
Model :1015P17-7-129
120Vac, 60Hz,AC ONLY
Lamp Size:φ17**H14"



PENDANT LAMP ASSEMBLY INSTRUCTIONS

1. Install bulbs (NOT INCLUDED). USE 120V E12  7*60W Max.

